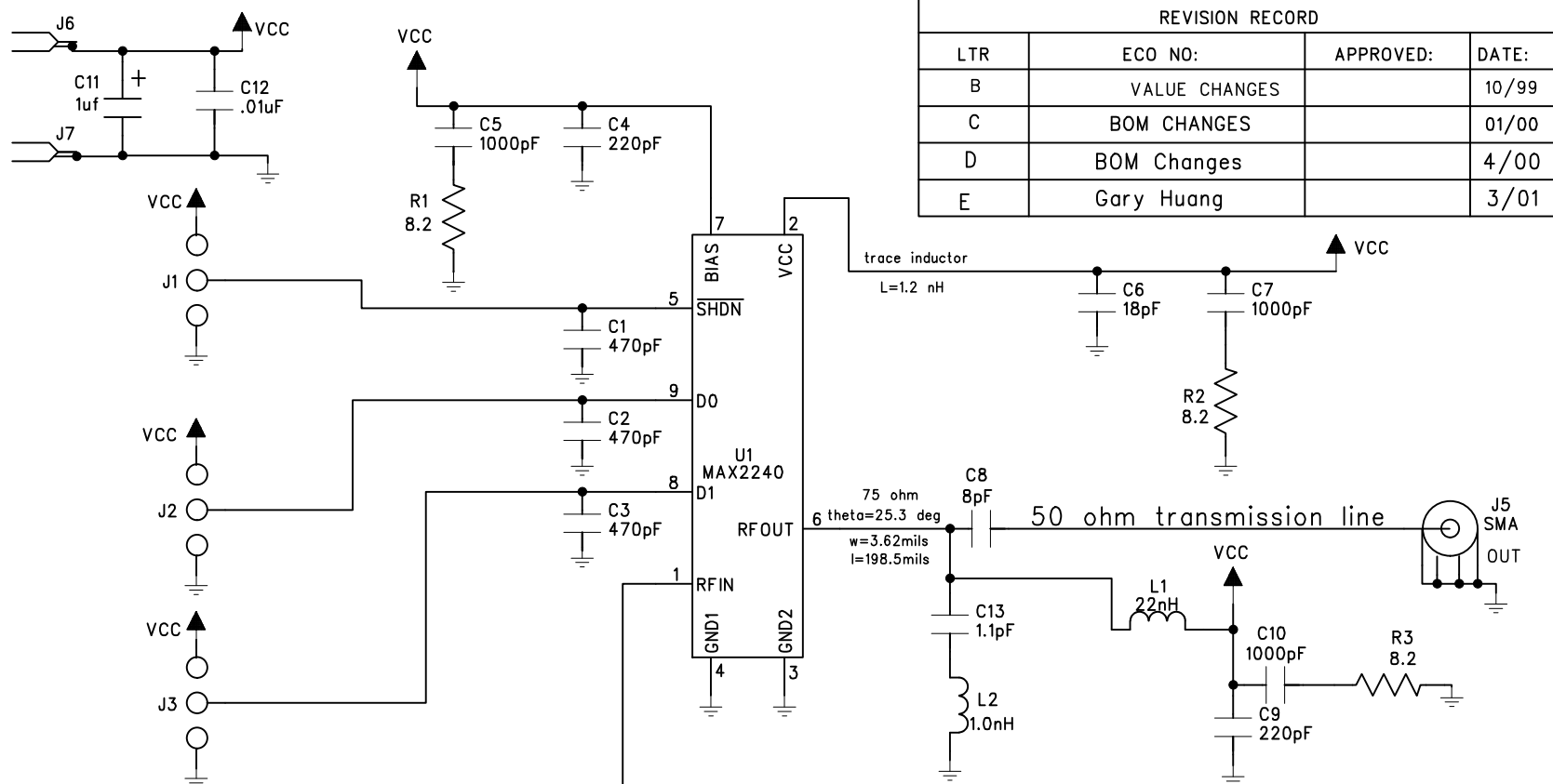


6 5 4 3 2 1

REVISION RECORD			
LTR	ECO NO:	APPROVED:	DATE:
B	VALUE CHANGES		10/99
C	BOM CHANGES		01/00
D	BOM Changes		4/00
E	Gary Huang		3/01



PCB material is FR4, (Er = 4.5), 6mil thick, 1oz copper

COMPANY: **MAXIM**

TITLE: MAX2240 EVALUATION BOARD

DRAWN:	DATED:
CHECKED:	DATED:
QUALITY CONTROL:	DATED:
RELEASED:	DATED:

CODE:	SIZE:	DRAWING NO:	REV:
	A		E

SCALE: SHEET: 1 OF 1

D

C

B

A

D

C

B

A