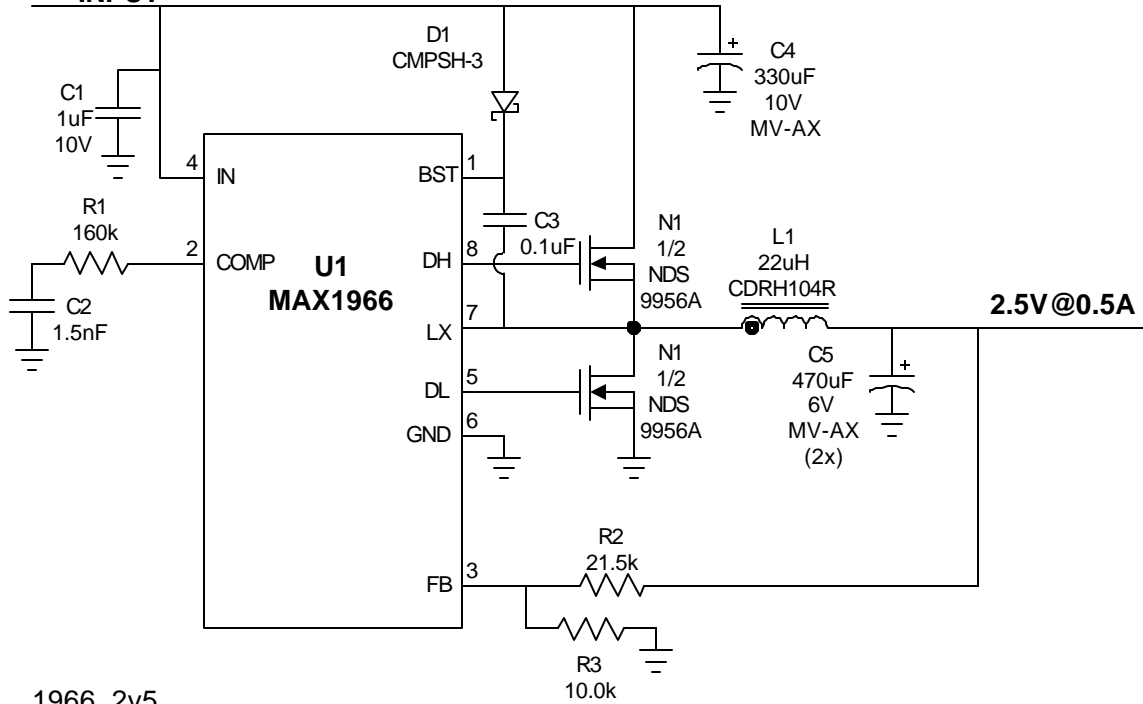


Line Card

4.5V to 5.5V
INPUT



1966_2v5
RWY
2/1/02

Vin	Iin	Vout	Iout	Efficiency
5.001	0.0056	2.5294	0	
4.484	0.2972	2.5201	0.5024	0.950
5.002	0.2671	2.5195	0.5024	0.947
5.519	0.2427	2.5188	0.5024	0.945
		50mVpp		

BILL OF MATERIALS
4.5V to 5.5V Input
2.5V @ 0.5A Output
2/1/02

1966_2v5

DESIGNATION	QTY	DESCRIPTION
C1	1	1uF 10V X7R ceramic capacitor (0805) Taiyo Yuden LMK212BJ105MG
C2	1	1.5nF ceramic capacitor (0805)
C3	1	0.1uF ceramic capacitor (0805)
C4	1	330uF 10V aluminum electrolytic capacitor Sanyo 10MV330AX
C5	1	470uF 6V aluminum electrolytic capacitor Sanyo 6MV470AX
D1	1	100mA 30V Schottky diode Central Semi CMPSH-3
L1	1	22uH Power inductor Sumida CDRH104R-220
N1		Dual N-channel MOSFET (SO-8) Fairchild NDS9956A
R1	1	100k Ohm 5% resistor (0805)
R2	1	21.5k Ohm 1% resistor (0805)
R3	1	10.0k Ohm 1% resistor (0805)
U1	1	MAX1966EUB (10-uMAX)