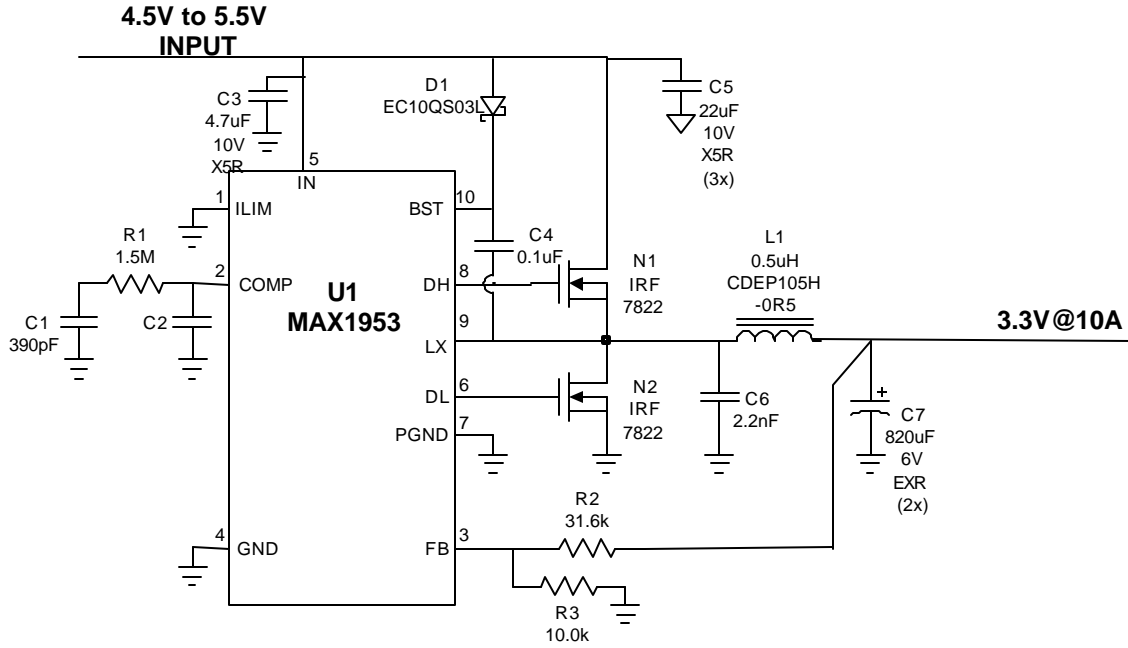


Base station



1953_3v3
RWY
3/12/02

MAXIM CONFIDENTIAL

Vin	Iin	Vout	Iout	Efficiency
5.0044	0.088	3.119	0	
4.4845	7.979	3.3112	10.043	0.929
5.0020	7.172	3.3082	10.042	0.926
5.515	6.521	3.3040	10.042	0.922
		50mVpp		

BILL OF MATERIALS**4.5V to 5.5V Input****3.3V @ 10A Output****3/12/02**

1953_3v3

DESIGNATION	QTY	DESCRIPTION
C1	1	390pF ceramic capacitor (0603)
C2	0	
C3	1	4.7uF 10V ceramic capacitor (1206) Taiyo Yuden LMK316BJ475ML
C4	1	0.1uF ceramic capacitor (0603)
C5	3	22uF 10V ceramic capacitor (1812) Taiyo Yuden LMK432BJ226MM
C6	1	2.2nF ceramic capacitor (0603)
C7	2	820uF 6V aluminum electrolytic capacitor Sanyo 6MV820EXR
D1	1	1A 30V Schottky diode Nihon EC10QS03L
L1	1	0.5uH 12A Inductor Sumida CDEP105L-0R5
N1,N2	2	6.5m Ohm 30V N-ch MOSFET (SO-8) International Rectifier IRF7822
R1	1	1.5M Ohm 5% resistor (0603)
R2	1	31.6k Ohm 1% resistor (0603)
R3	1	10.0k Ohm 1% resistor (0603)
U1	1	MAX1953EUB (10-uMAX)