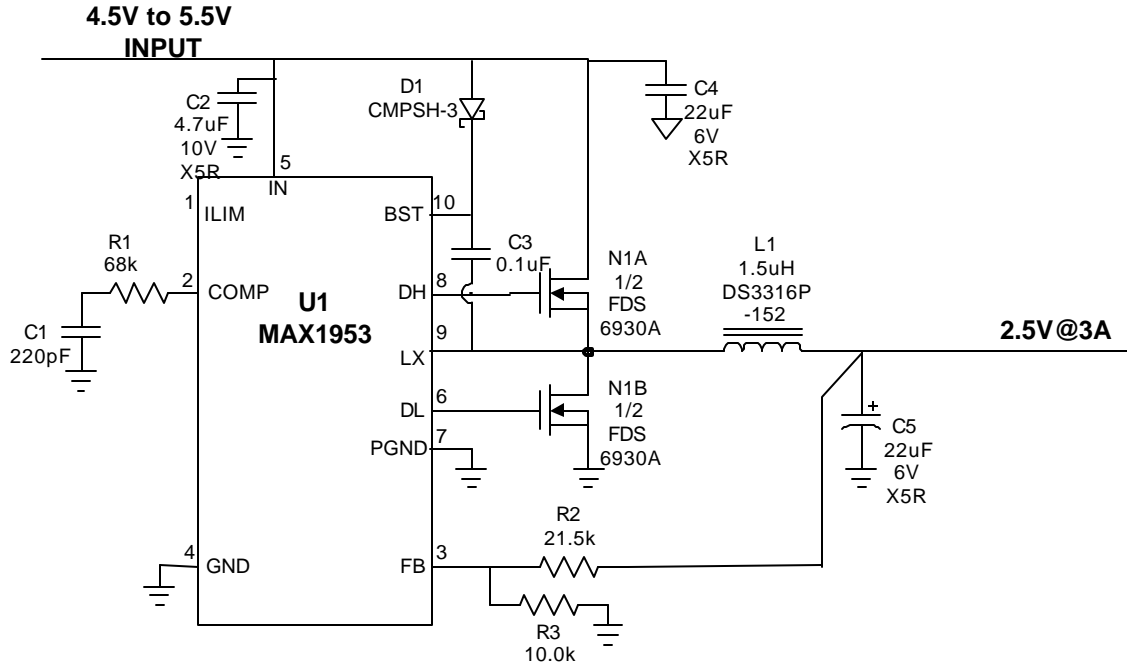


Network card



1953_2d5
RWY
4/30/02

MAXIM CONFIDENTIAL

| V _{in} | i _{in} | V _{out} | I _{out} | Efficiency |
|-----------------|-----------------|--------------------|------------------|------------|
| 5.0037 | 0.016 | 2.4720 | | |
| 4.4966 | 1.855 | 2.4674 | 3.014 | 0.891 |
| 5.0040 | 1.666 | 2.4637 | 3.014 | 0.890 |
| 5.507 | 1.514 | 2.4603 | 3.014 | 0.889 |
| | | 14mV _{pp} | | |

BILL OF MATERIALS**4.5V to 5.5V Input****2.5V @ 3A Output****5/01/02**

1953_2d5

| DESIGNATION | QTY | DESCRIPTION |
|--------------------|------------|---|
| C1 | 1 | 220pF ceramic capacitor (0603) |
| C2 | 1 | 4.7uF 10V X5R ceramic capacitor (1206) Taiyo Yuden LMK316BJ475ML |
| C3 | 1 | 0.1uF ceramic capacitor (0603) |
| C4,C5 | 2 | 22uF 6V X5R ceramic capacitor (1210) Taiyo Yuden JMK325BJ226MM |
| D1 | 1 | 100mA 30V Schottky diode Central Semi CMPSH-3 |
| L1 | 1 | 1.5uH 5A Power Inductor Coilcraft DS3316P-152 |
| N1 | 1 | 55m Ohm 30V Dual N-ch MOSFET (SO-8) Fairchild FDS6930A |
| R1 | 1 | 68k Ohm 5% resistor (0603) |
| R2 | 1 | 21.5k Ohm 1% resistor (0603) |
| R3 | 1 | 10.0k Ohm 1% resistor (0603) |
| U1 | 1 | MAX1953EUB (10-uMAX) |