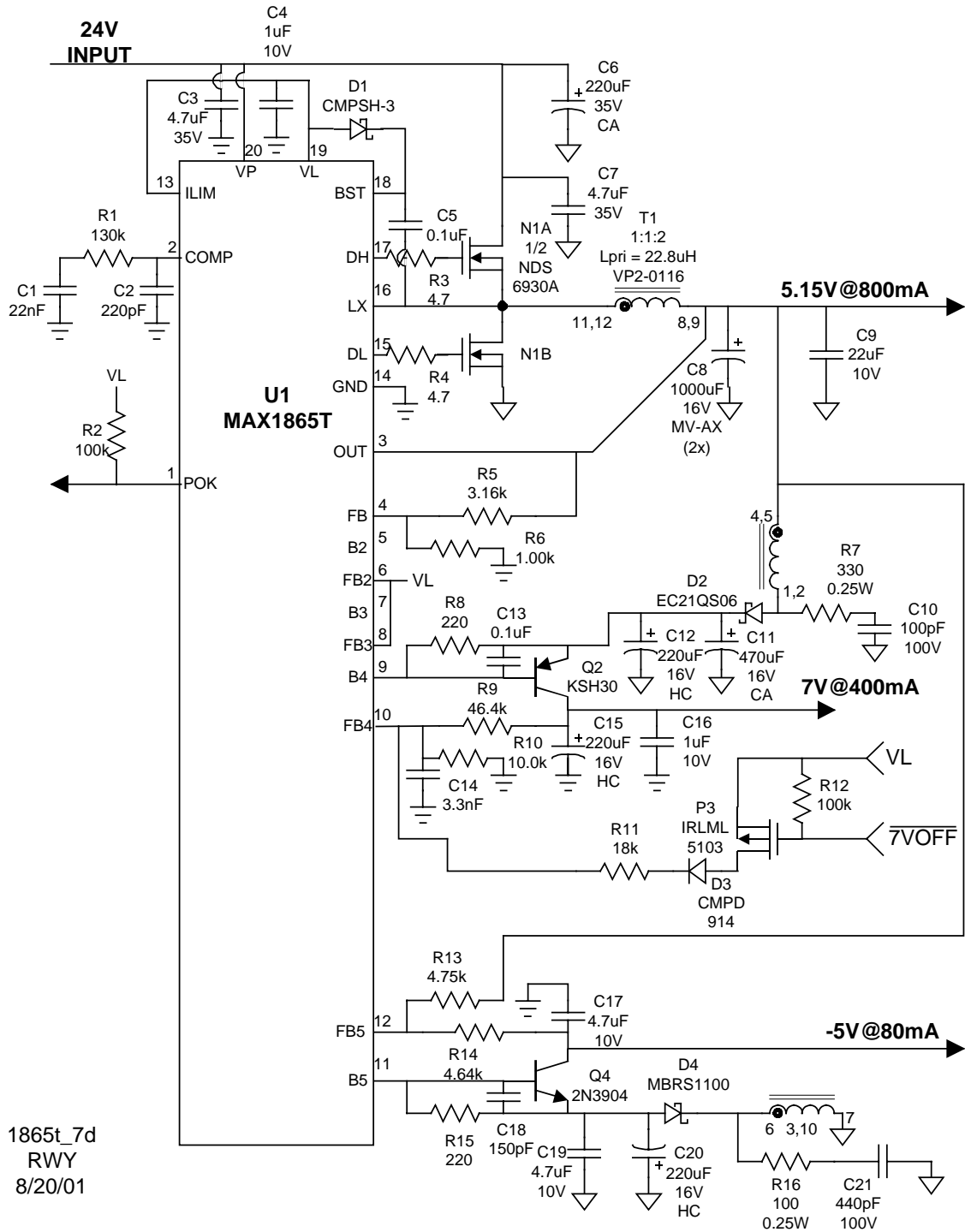


WLL Terminal



Vin	Iin	Vout	Iout	V4	I4	V5	I5	Eff.
25.208	0.403	5.1268	0.8009	6.883	0.401	-5.0021	0.0802	0.715
24.003	0.422	5.1266	0.8009	6.882	0.401	-5.0020	0.0800	0.717
22.796	0.442	5.1265	0.8009	6.882	0.401	-5.0024	0.0801	0.721
		50mVpp		10mVpp		50mVpp		

BILL OF MATERIALS
23V to 25V Input
7V @ 400mA, 5.15V @ 800mA, -5V @ 80mA Output
08/21/01

1865t_7d

DESIGNATION	QTY	DESCRIPTION
C1	1	22nF ceramic capacitor (0805)
C2	1	220pF ceramic capacitor (0805)
C3,C7	2	4.7uF 35V Y5V ceramic capacitor (1206) Taiyo Yuden GMK316F475MG
C4,C16	2	1uF 10V ceramic capacitor (0805) Taiyo Yuden LMK212BJ105MG
C5,C13	1	0.1uF ceramic capacitor (0805)
C6	1	220uF 35V aluminum electrolytic capacitor Sanyo 35MV220CA
C8,C11	3	470uF 16V aluminum electrolytic capacitor Sanyo 16MV470CA
C9	1	22uF 10V ceramic capacitor (1812) Taiyo Yuden LMK432BJ226MM
C10	1	100pF 50V ceramic capacitor (0805)
C12,C15,C20	3	220uF 16V aluminum electrolytic capacitor Sanyo 16MV220HC
C14	1	3.3nF ceramic capacitor (0805)
C17,C19	2	4.7uF 10V ceramic capacitor (1206) Taiyo Yuden LMK316BJ475ML
C18	1	150pF ceramic capacitor (0805)
C21	2	220pF 50V ceramic capacitor (0805)
D1	1	100mA 30V Schottky diode Central Semi CMPSH-3
D2	1	2.1A 40V Schottky diode Nihon EC21QS04
D3	1	10mA 100V signal diode (SOT-23) Central Semi CMPD914
D4	1	1A 60V Schottky diode Central Semi EC10QS06
N1	1	55m Ohm 30V Dual MOSFET (8-SO) Fairchild Semi FDS6930A
P3	1	1 Ohm -30V PFET (SOT-23) IRLML5103
Q2	1	1A, -40V PNP transistor (D-PAK) Fairchild KSH30
Q4	1	200mA, 40V PNP transistor (TO-92) 2N3906
R1	1	130k Ohm 5% resistor (0805)
R2,R12	2	100k Ohm 5% resistor (0805)

R3,R4	2	4.7 Ohm 5% resistor (0805)
R5	1	3.16k Ohm 1% resistor (0805)
R6	1	1.00k Ohm 1% resistor (0805)
R7	1	330 Ohm 5% 0.25W resistor (1210)
R8,R15	2	220 Ohm 5% resistor (0805)
R9	1	46.4k Ohm 1% resistor (0805)
R10	1	10.0k Ohm 1% resistor (0805)
R11	1	18k Ohm 5% resistor (0805)
R13	1	4.75k Ohm 1% resistor (0805)
R14	1	4.64k Ohm 1% resistor (0805)
R16	1	100 Ohm 5% 0.25W resistor (1210)
T1	1	1:1:2 Transformer Lpri=22.8uH Coiltronics VP2-0116
U1	1	MAX1865TEEP (20-QSOP)