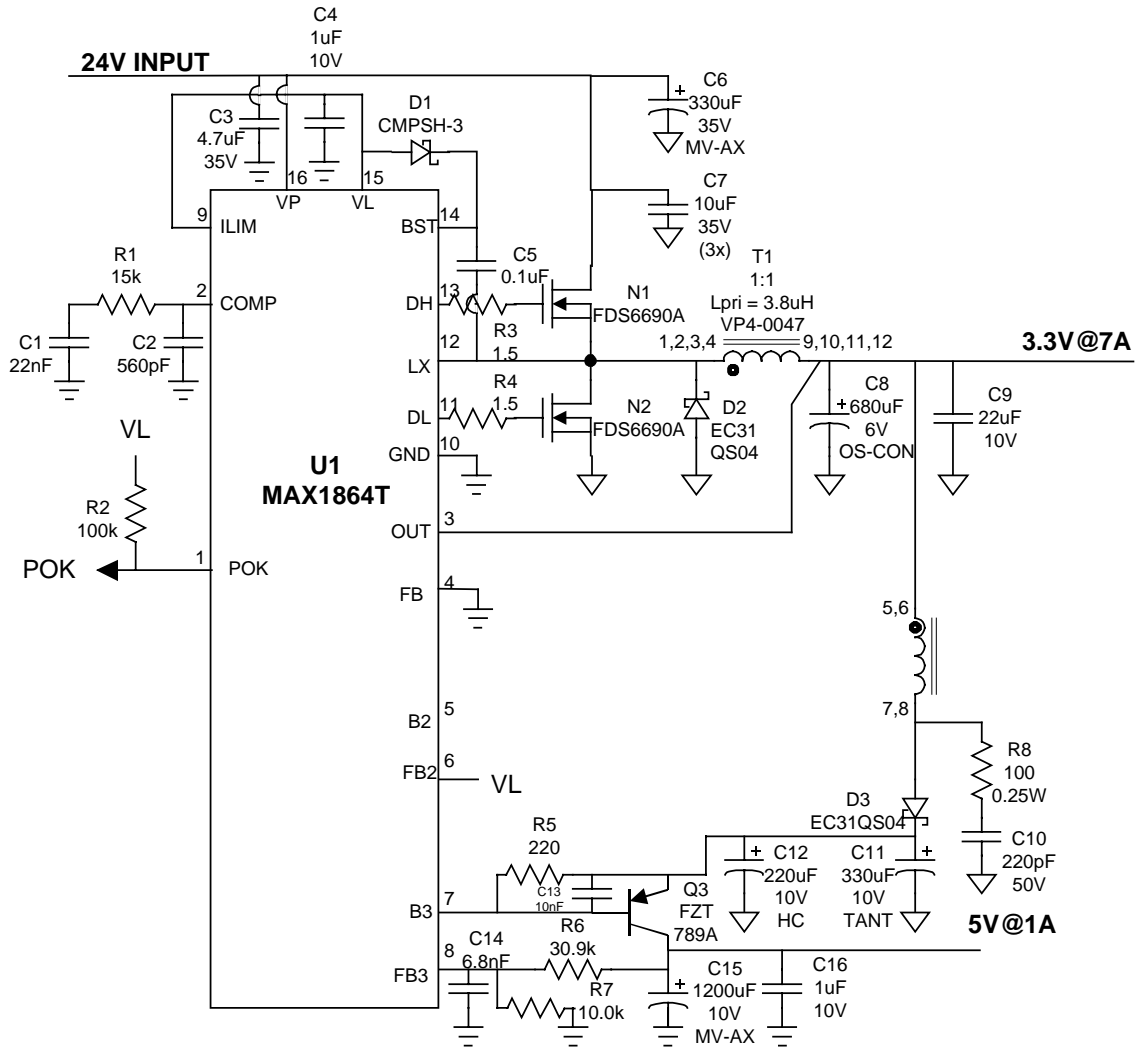


Network Modem



1864\_3f3  
RWY  
8/21/01

Vin	Iin	Vout	Iout	V3	I3	Eff.
25.208	1.362	3.3107	7.010	5.0737	1.003	0.824
24.001	1.429	3.3109	7.010	5.0735	1.003	0.825
22.791	1.502	3.3108	7.009	5.0731	1.003	0.826
		100mVpp		200mVpp		

**BILL OF MATERIALS**  
**23V to 25V Input**  
**3.3V @ 7A, 5V @ 1A Output**  
**08/21/01**

1864\_3f3

DESIGNATION	QTY	DESCRIPTION
C1	1	22nF ceramic capacitor (0805)
C2	1	560pF ceramic capacitor (0805)
C3	1	4.7uF 35V Y5V ceramic capacitor (1206) Taiyo Yuden GMK316F475MG
C4,C16	2	1uF 10V ceramic capacitor (0805) Taiyo Yuden LMK212BJ105MG
C5	1	0.1uF ceramic capacitor (0805)
C6	1	330uF 35V aluminum electrolytic capacitor Sanyo 35MV330AX
C7	3	10uF 35V Y5V ceramic capacitor (1210) Taiyo Yuden GMK325F106MH
C8	1	680uF 6V organic semiconductor capacitor Sanyo OS-CON 6SP680M
C9	1	22uF 10V ceramic capacitor (1812) Taiyo Yuden LMK432BJ226MM
C10	1	220pF 50V ceramic capacitor (0805)
C11	3	330uF 10V tantalum capacitor Kemet T510X337M010AS
C12	1	220uF 10V aluminum electrolytic capacitor Sanyo 10MV220HC
C13	1	10nF ceramic capacitor (0805)
C14	1	6.8nF ceramic capacitor (0805)
C15	1	1200uF 10V aluminum electrolytic capacitor Sanyo 10MV1200AX
D1	1	100mA 30V Schottky diode Central Semi CMPSH-3
D2,D3	2	3.1A 40V Schottky diode Nihon EC31QS04
N1,N2	2	17m Ohm 30V MOSFET (8-SO) Fairchild FDS6690A
Q3	1	2A, -25V PNP transistor (SOT-223) Zetex FZT789A
R1	1	15k Ohm 5% resistor (0805)
R2	1	100k Ohm 5% resistor (0805)
R3,R4	2	1.5 Ohm 5% resistor (0805)
R5	1	220 Ohm 5% resistor (0805)
R6	1	30.9k Ohm 1% resistor (0805)
R7	1	10.0k Ohm 1% resistor (0805)
R8	1	100 Ohm 5% 0.25W resistor (1210)

T1	1	1:1 Transformer Lpri=3.8uH Coiltronics VP4-0047
<b>U1</b>	<b>1</b>	<b>MAX1864TEEE (16-QSOP)</b>